



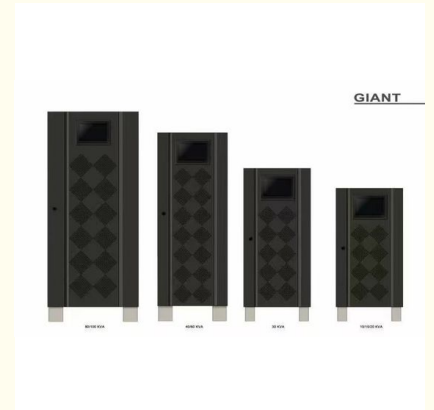
1KVA/2KVA/3KVA Long Backup Industrial Uninterrupted Power Supply UPS For Manufacturing Plants

Our Product Introduction

for more products please visit us on power-cabinets.com

Basic Information

- Place of Origin: CHINA
- Brand Name: SZDXZH
- Model Number: H1K/H2K/H3K
- Minimum Order Quantity: 1 pcs
- Packaging Details: Woodcase/ Paper box
- Delivery Time: 15-25 days
- Payment Terms: T/T
- Supply Ability: 10000pcs/month



Product Specification

- Product Category: Industrial UPS Power Supply
- Product Name: UPS
- Battery Voltage: 12V
- Applications: Manufacturing Plants, Warehouse And Distribution Centers, Hospitals And Healthcare Facilities, Data Centers And Server Rooms, Financial Institutions, Telecommunications Centers
- Efficiency (Commercial Power Mode): 0.88
- Shipping: International Shipping
- True Online Double Conversion: 0ms
- Highlight: **Long Backup Industrial Uninterrupted Power Supply**



More Images



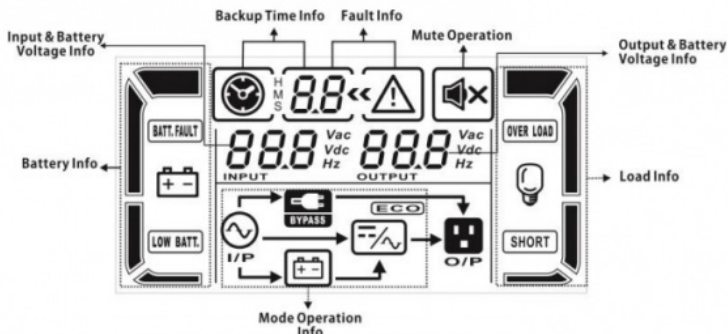
1KVA/2KVA/3KVA Long Backup Industrial Uninterrupted Power Supply UPS For Manufacturing Plants

1. Technique parameter

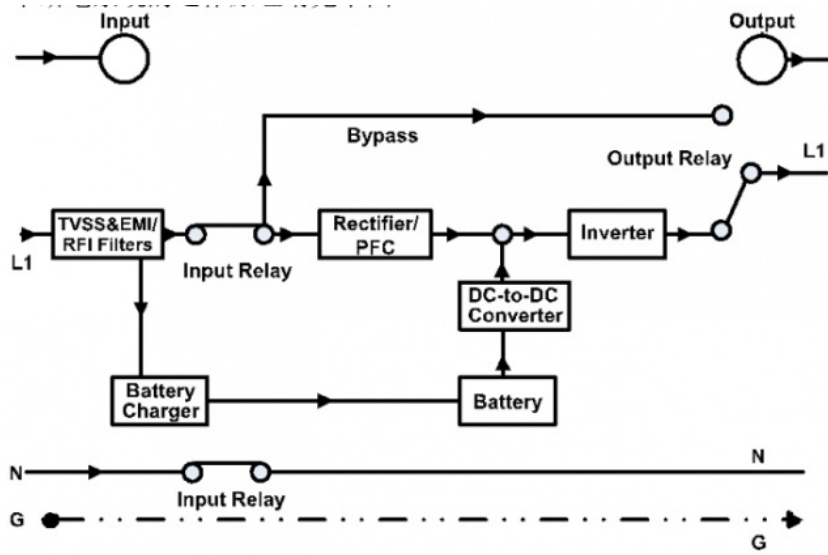
Rack UPS						
MODEL	1KR		2KR		3KR	
CAPACITY*	1000 VA / 800 W		2000 VA / 1600 W		3000 VA / 2400 W	
INPUT						
Voltage Range	Low Line Transfer	85VAC/75VAC/65VAC/55VAC±5% or 160VAC/140VAC/120VAC/110VAC±5% (based on load percentage 100% - 80 % / 80 % - 70 % / 70 - 60 % / 60 % - 0)				
	Low Line Comeback	95VAC/85VAC/75VAC/65VAC or 175VAC/155VAC/135VAC/125VAC ± 5 % (Ambient Temp.<35°C) (based on load percentage 100% - 80 % / 80 % - 70 % / 70 - 60 % / 60 % - 0)				
	High Line Transfer	145 VAC ± 5 % or 300 VAC ± 5 %				
	High Line Comeback	140 VAC ± 5 % or 290 VAC ± 5 %				
Frequency Range	40Hz ~ 70 Hz					
Phase	Single phase with ground					
Power Factor	≥ 0.99 @ nominal voltage (input voltage)					
OUTPUT						
Output voltage	100/110/115/120/127VAC or 200/208/220/230/240VAC					
AC Voltage Regulation	±1% (Batt. Mode)					
Frequency Range	47 ~ 53 Hz or 57 ~ 63 Hz (Synchronized Range)					
Frequency Range (Batt. Mode)	50 Hz ± 0.25 Hz or 60Hz ± 0.3 Hz					
Overload	Ambient Temp.<35°C					
	105%~110%: UPS shuts down after 10 minutes at battery mode or transfer to bypass when the utility is normal					
	110%~130%: UPS shuts down after 1minute at battery mode or transfer to bypass when the utility is normal					
>130%:UPS shuts down after 3 seconds at battery mode or transfer to bypass when the utility is normal						
Current Crest Ratio	3:1					
Harmonic Distortion	≤ 3 % THD (linear load); ≤ 6 % THD (non-linear load)					
Transfer Time	AC Mode to Batt. Mode	Zero				
	Inverter to Bypass	4 ms (Typical)				
Waveform (Batt. Mode)	Pure Sinewave					
EFFICIENCY						
AC Mode	88%		89%		90%	
Battery Mode	83%		87%		88%	
BATTERY						
Standard Model	Battery Type	12 V / 9 AH		12 V / 9 AH		12 V / 9 AH
	Numbers	2		4		6
	Recharge Time	4 hours recover to 90% capacity (Typical)				
	Charging Current	1.0 A (max.)				
Long-run Model	Charging Voltage	27.4 VDC ± 1%		54.7 VDC ±1%		82.1 VDC ±1%
	Battery Numbers	2	3	4	6	8
	Charging Current	1.0A/2.0A/4.0A/6.0 A				
	Charging Voltage	27.4 VDC ± 1%	41.0VDC ± 1%	54.7 VDC ±1%	82.1VDC ±1%	109.4VDC ±1%
PHYSICAL						
Standard Model	Dimension, D X W X H	310 x 438 x 88 (mm)		410 x 438 x 88 (mm)		630 x 438 x 88 (mm)
	Net Weight (kgs)	12		19		29.3
Long-run Model	Dimension, D X W X H	310 x 438 x 88 (mm)		410 x 438 x 88 (mm)		410 x 438 x 88 (mm)
	Net Weight (kgs)	9		12		14.2
ENVIRONMENT						
Operation Humidity	20-90 % RH @ 0- 40°C (non-condensing)					
Noise Level	Less than 50dBa @ 1 Meter					
MANAGEMENT						
Smart RS-232 or USB	Supports Windows® 2000/2003/XP/Vista/2008/7/8, Linux, Unix and MAC					
Optional SNMP	Power management from SNMP manager and web browser					

* Derate capacity to 80% of capacity in Frequency converter mode or when the output voltage is adjusted to 200/208VAC. Product specifications are subject to change without further notice.

2. LED screen



3. Working principle









Shenzhen Daxin Intelligent
Equipment Technology Co., Ltd

Shenzhen Daxin Intelligent Equipment Technology Co., Ltd



+86 15817363697



lubenzhi@szdxzh.com



power-cabinets.com

Green Base Industrial Park, Longtian Street, Pingshan District, Shenzhen