



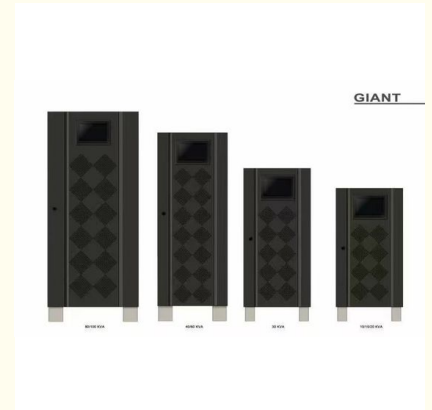
3 Phase 15K Industrial UPS Power Supply With Intelligent Battery Management System

Our Product Introduction

for more products please visit us on power-cabinets.com

Basic Information

- Place of Origin: CHINA
- Brand Name: SZDXZH
- Model Number: H10KL
- Minimum Order Quantity: 1 pcs
- Packaging Details: Woodcase/ Paper box
- Delivery Time: 15-25 days
- Payment Terms: T/T
- Supply Ability: 10000pcs/month



Product Specification

- Battery Voltage: 24V
- Intelligent Battery Management System: Yes
- True Online Double Conversion: 0ms
- Country Of Origin: China
- Product Packaging: High Frequency UPS Unit, Power Cord, User Manual, Warranty Card
- Product Category: Industrial UPS Power Supply
- Highlight: **15K Industrial UPS Power Supply ,
UPS Power Supply With Battery Management ,
3 Phase Industrial UPS Power Supply**

Product Description

Origin Industrial UPS Power Supply With Intelligent Battery Management System

Product Description:

One of the standout features of this product is its Intelligent Battery Management System. This system ensures that the battery is always functioning optimally and prolongs the life of the battery. With this system in place, you can be sure that your Industrial Emergency Power Source will be ready to go when you need it most.

Another important feature of the 15K Power frequency machine Power frequency uninterruptible power supply is its efficiency in Commercial Power Mode. With an efficiency rating of 0.89, you can be sure that this product is energy efficient and will help you save on power costs.

The 15K Power frequency machine Power frequency uninterruptible power supply also features True Online Double Conversion, which means that there is no interruption in power supply even when switching from mains power to battery power. With a 0ms switch-over time, you can be sure that your operations will not be affected by any power interruptions.

Overall, the 15K Power frequency machine Power frequency uninterruptible power supply is a reliable and efficient Industrial UPS Power Supply product that is perfect for schools, factories, military, and mining sites. With its Intelligent Battery Management System, Factory Power Loss Deterrent capabilities, and True Online Double Conversion feature, you can be sure that your operations will not be affected by any power interruptions.

Features:

Product Name: Industrial UPS Power Supply

Packaging Details: Carton Packaging

Product Category: Industrial UPS Power Supply

Payment Terms: T/T

Minimum Order Quantity: 1

Energy Saving ECO Mode: Yes

Production Line Backup Power System

Factory Standby Power Unit

Commercial Electrical Power Backup

Technical Parameters:

Country of Origin	China
Product Category	Industrial UPS Power Supply
Model Number	H10KL
Applications	Manufacturing plants, Warehouse and distribution centers, Hospitals and healthcare facilities, Data centers and server rooms, Financial institutions, Telecommunications centers
Product Packaging	High Frequency UPS unit, Power cord, User manual, Warranty card
Intelligent Battery Management System	Yes
Packaging Details	Carton Packaging
Shipping	Ships within 2 business days, Shipping method: FedEx ground, Shipping cost: Free, Tracking number provided once item is shipped
True Online Double Conversion	0ms
Efficiency (Commercial Power Mode)	0.89
Additional Features	Factory Power Loss Deterrent, Factory Standby Power Unit, Industrial Uninterrupted Power Supply

Applications:

The Industrial UPS Power Supply is an Industrial Strength UPS Battery Backup that ensures uninterrupted power supply during power outages, blackouts, and other power-related emergencies. It is suitable for a wide range of applications, including factories, hospitals, data centers, and other industrial facilities that require a reliable and stable power supply. It is capable of delivering consistent power to critical equipment, such as servers, switches, and other electronics, ensuring their uninterrupted operation.

The Industrial UPS Power Supply is designed to be easy to install and use, with an intuitive user interface that allows for easy monitoring

and control. It comes with a power cord, user manual, and warranty card, and is packaged in a carton for easy transport and storage. The supply ability is negotiable, and delivery time can be arranged according to the customer's needs. If you are looking for a reliable and efficient Industrial Strength UPS Battery Backup for your industrial facility, the Industrial UPS Power Supply from SZDXZH is an excellent choice. It is a high-quality product that provides a stable, uninterrupted power supply, ensuring the smooth operation of your critical equipment. Contact us today to learn more about this product and how it can benefit your business.

Support and Services:

The Industrial UPS Power Supply product technical support and services include:

24/7 technical support hotline for immediate assistance

On-site installation and commissioning services

Preventative maintenance and repair services to ensure optimal performance and reliability

Remote monitoring and diagnostic services to identify and resolve issues remotely

Training and education services to help customers maximize the benefits of the UPS system

Packing and Shipping:

Product Packaging:

Heavy-duty cardboard box

Protective foam inserts

User manual and installation guide

Power cable and connectors

Mounting brackets and hardware

Shipping:

Shipped via ground or air freight

Tracking number provided upon shipment

Insurance available upon request

International shipping available

Additional fees may apply for expedited shipping

FAQ:

What is the brand name of the Industrial UPS Power Supply?

The brand name of the Industrial UPS Power Supply is SZDXZH.

2.

What is the model number of the Industrial UPS Power Supply?

The model number of the Industrial UPS Power Supply is H10KL.

3.

Where is the Industrial UPS Power Supply manufactured?

The Industrial UPS Power Supply is manufactured in China.

4.

What is the minimum order quantity for the Industrial UPS Power Supply?

The minimum order quantity for the Industrial UPS Power Supply is 1.

5.

What is the price of the Industrial UPS Power Supply?

The price of the Industrial UPS Power Supply is \$626.4.

6.

What is the packaging detail for the Industrial UPS Power Supply?

The packaging detail for the Industrial UPS Power Supply is Carton Packaging.

7.

What are the payment terms for the Industrial UPS Power Supply?

The payment terms for the Industrial UPS Power Supply are T/T.

8.

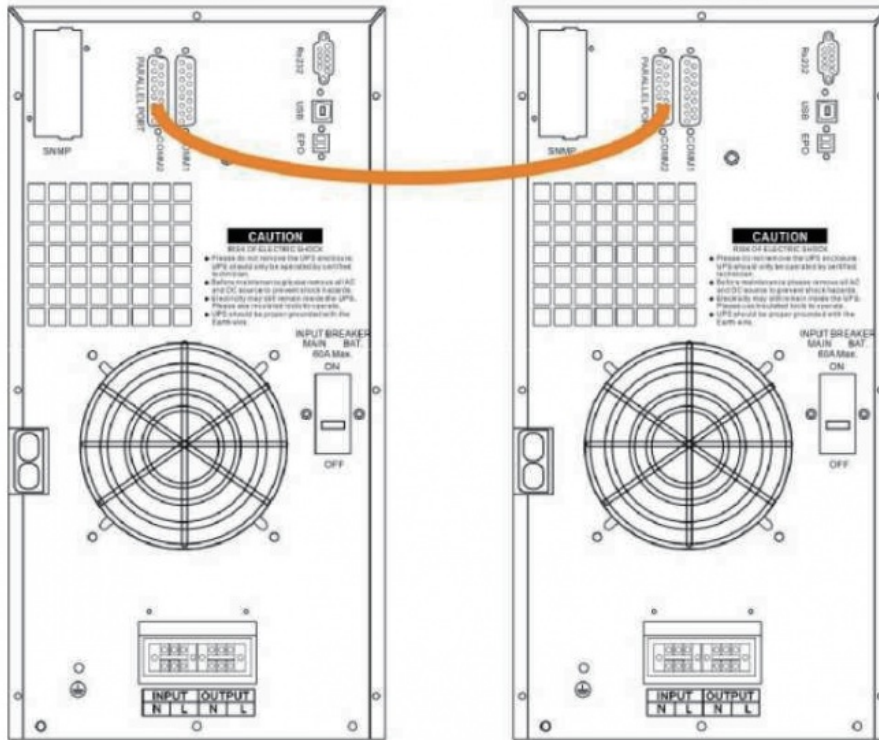
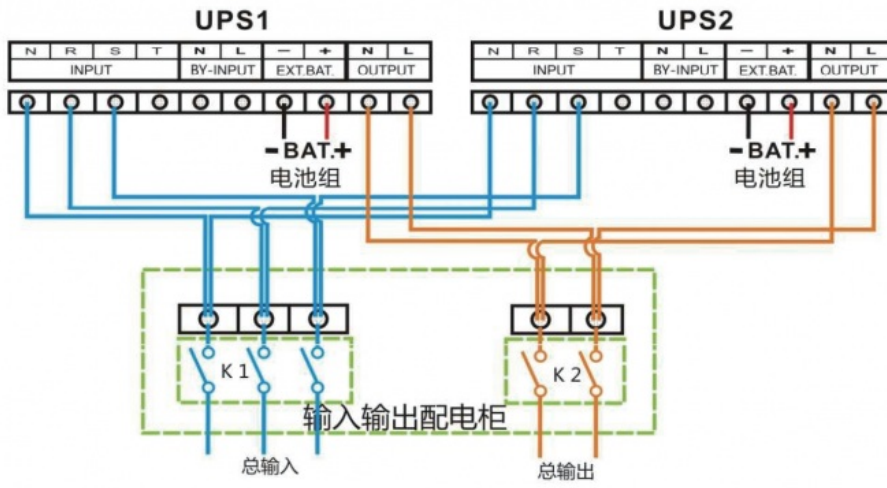
What is the delivery time for the Industrial UPS Power Supply?

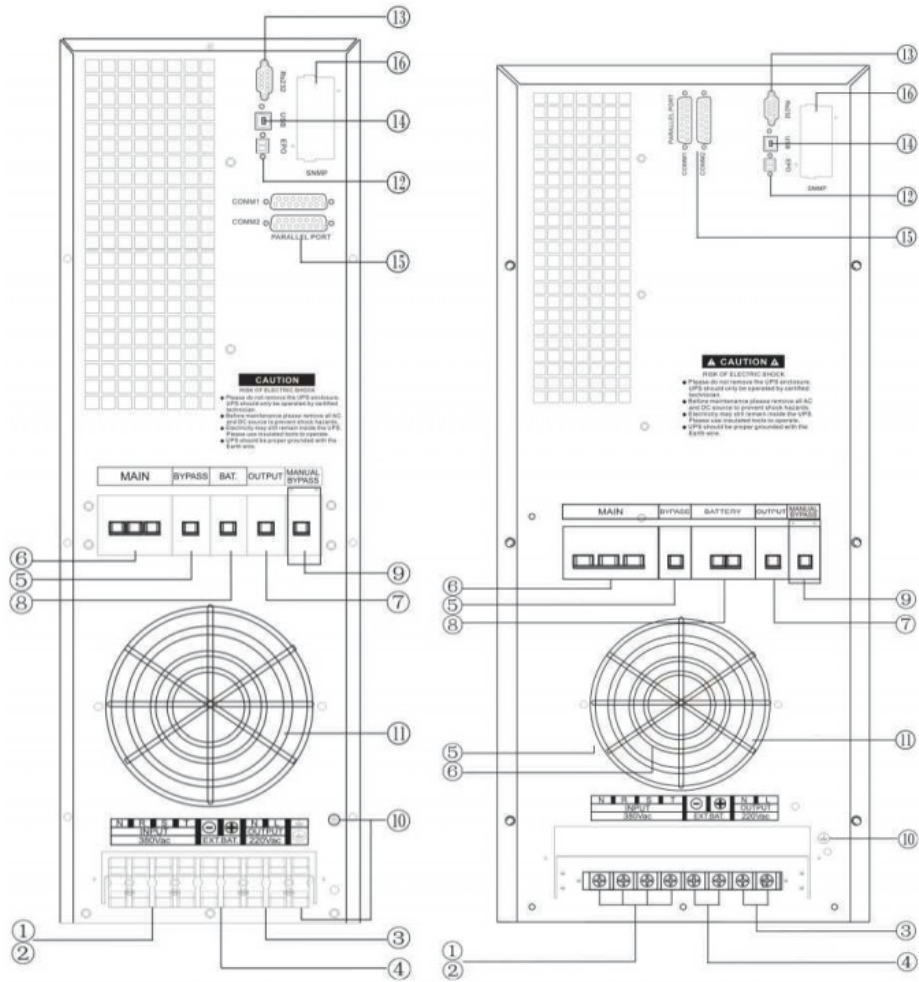
The delivery time for the Industrial UPS Power Supply is negotiable.

9.

What is the supply ability of the Industrial UPS Power Supply?

The supply ability of the Industrial UPS Power Supply is negotiable.





01

Stable and reliable

ONLINE DOUBLE CONVERSION TECHNOLOGY COMPLETELY ELIMINATES THE IMPACT OF POWER FAILURES AND EFFECTIVELY PROTECTS THE LOAD FROM UNINTERRUPTED OPERATION

02

Ultra-wide voltage

ULTRA-WIDE VOLTAGE INPUT RANGE, EFFECTIVELY REDUCING THE NUMBER OF BATTERY CHARGES AND EXTENDING

03

Green and Energy Saving

REDUCE ENERGY LOSS, EFFICIENCY UP TO 90%, ULTRA-SMALL SIZE, SIGNIFICANTLY SAVES SPACE

COMPARED TO A 1000VA UPS SYSTEM

90%

04

Convenient and easy to use

EASY TO OPERATE, LCD DISPLAY, FRIENDLY HUMAN-MACHINE INTERFACE, STANDARD MACHINE









Shenzhen Daxin Intelligent
Equipment Technology Co., Ltd

Shenzhen Daxin Intelligent Equipment Technology Co., Ltd



+86 15817363697



lubenzhi@szdxzh.com



power-cabinets.com

Green Base Industrial Park, Longtian Street, Pingshan District, Shenzhen