



Heavy Duty 24V UPS Power Supply With Intelligent Battery Management System

Our Product Introduction

for more products please visit us on power-cabinets.com

Basic Information

- Place of Origin: CHINA
- Brand Name: SZDXZH
- Model Number: H10KL
- Minimum Order Quantity: 1 pcs
- Packaging Details: Woodcase/ Paper box
- Delivery Time: 15-25 days
- Payment Terms: T/T
- Supply Ability: 10000pcs/month



Product Specification

- Intelligent Battery Management System: Yes
- True Online Double Conversion: 0ms
- Support And Services: Installation And Commissioning, Maintenance And Repair, Remote Monitoring And Management, On-site Technical Support, Training And Education
- Industrial Strength UPS Battery Backup: Yes
- Product Category: Industrial UPS Power Supply
- Industrial Voltage Regulator: Yes
- Battery Voltage: 24V
- Highlight: **Heavv Dutv 24V UPS Power Supply .**

Product Description

Efficiency 0.89 Heavy-duty UPS Power Supply with Intelligent Battery Management System

Product Description:

Our Industrial UPS Power Supply is designed to prevent factory power loss, ensuring that your operations run smoothly without any interruptions. The industrial voltage regulator ensures that your equipment receives a stable and consistent power supply, protecting it from any damage that may be caused due to voltage fluctuations.

Made in China, our Heavy-duty Industrial Power Supply is built to last. It is durable and rugged, making it the perfect fit for any industrial environment. Our product is designed to withstand harsh conditions and perform optimally in high-stress situations.

Our Heavy-duty Industrial Power Supply is available in a minimum order quantity of 1, making it accessible to businesses of all sizes. Whether you are a small-scale business or a large-scale operation, our Industrial UPS Power Supply is the perfect fit for your power supply needs.

Order your Heavy-duty Industrial Uninterruptible Power Supply today and experience uninterrupted power supply, protecting your equipment and operations from any damage that may be caused due to power outages or voltage fluctuations.

Features:

Product Name: Industrial UPS Power Supply

Efficiency (Commercial Power Mode): 0.89

Intelligent Battery Management System: Yes

Minimum Order Quantity: 1

True Online Double Conversion: 0ms

Support And Services:

Installation And Commissioning

Maintenance And Repair

Remote Monitoring And Management

On-site Technical Support

Training And Education

A Heavy-duty Industrial UPS, Industrial Power Backup System, and Industrial Uninterruptible Power Supply with intelligent battery management system and true online double conversion with 0ms switching time.

Technical Parameters:

Product Category	Industrial UPS Power Supply
Industrial Voltage Regulator	Yes
Applications	Manufacturing plants, Warehouse and distribution centers, Hospitals and healthcare facilities, Data centers and server rooms, Financial institutions, Telecommunications centers
Product Name	Free Shipping Commercial UPS Power Source with Energy Saving ECO Mode
Model Number	H10KL
True Online Double Conversion	0ms
Efficiency (Commercial Power Mode)	0.89
Price	\$626.4
Support And Services	Installation And Commissioning, Maintenance And Repair, Remote Monitoring And Management, On-site Technical Support, Training And Education
Country Of Origin	China

This is an Industrial Power Backup System, Industrial Power Backup System, Industrial Uninterruptible Power Supply.

Applications:

With its True Online Double Conversion feature, the H10KL model ensures a 0ms transfer time, which makes it an ideal solution for sensitive equipment that requires a constant power supply. The Commercial-grade UPS Power Supply is made in China with superior quality materials, and it comes with a minimum order quantity of 1 unit.

The SZDXZH H10KL model is priced at \$626.4, and its supply ability is negotiable. It is packaged in a carton, and the payment terms are T/T. The delivery time is also negotiable depending on the quantity ordered.

Aside from its Industrial Strength UPS Battery Backup, the H10KL model also has a 24V battery voltage, which makes it a powerful and reliable power supply. It also comes with a range of Support And Services such as Installation And Commissioning, Maintenance And

Repair, Remote Monitoring And Management, On-site Technical Support, Training And Education.

To sum up, the SZDXZH H10KL model is a Commercial-grade UPS Power Supply that provides a reliable power source for various industries. Its True Online Double Conversion feature and Industrial Strength UPS Battery Backup make it a trustworthy solution for any critical equipment. Whether you need it for a factory, a data center, or any other industrial application, the H10KL model is a great choice.

Support and Services:

The Industrial UPS Power Supply product provides reliable power protection for critical industrial applications. Our technical support team is available to assist with any questions or issues related to the product setup, installation, and configuration. In addition, we offer a range of services to ensure the optimal performance and longevity of your UPS, including preventative maintenance, battery replacement, and system upgrades. Our team is committed to providing timely and effective solutions to keep your operations running smoothly.

Packing and Shipping:

Product Packaging:

The Industrial UPS Power Supply product will be carefully packed in a sturdy cardboard box to ensure safe transportation.

The box will be labeled with the product name, model number, and handling instructions.

All necessary accessories and documentation will be included in the box.

Shipping:

The Industrial UPS Power Supply product will be shipped via a reputable courier service.

Shipping times may vary depending on the destination, but we will provide an estimated delivery date when the order is placed.

Tracking information will be provided once the product has been shipped.

Please ensure someone is available to receive and sign for the package upon delivery.

FAQ:

Q: What is the brand name of this Industrial UPS Power Supply?

A: The brand name of this Industrial UPS Power Supply is SZDXZH.

Q: What is the model number of this Industrial UPS Power Supply?

A: The model number of this Industrial UPS Power Supply is H10KL.

Q: Where is this Industrial UPS Power Supply manufactured?

A: This Industrial UPS Power Supply is manufactured in China.

Q: What is the minimum order quantity for this Industrial UPS Power Supply?

A: The minimum order quantity for this Industrial UPS Power Supply is 1.

Q: What is the price of this Industrial UPS Power Supply?

A: The price of this Industrial UPS Power Supply is \$626.4.

Q: What are the payment terms for this Industrial UPS Power Supply?

A: The payment terms for this Industrial UPS Power Supply is T/T.

Q: What is the delivery time for this Industrial UPS Power Supply?

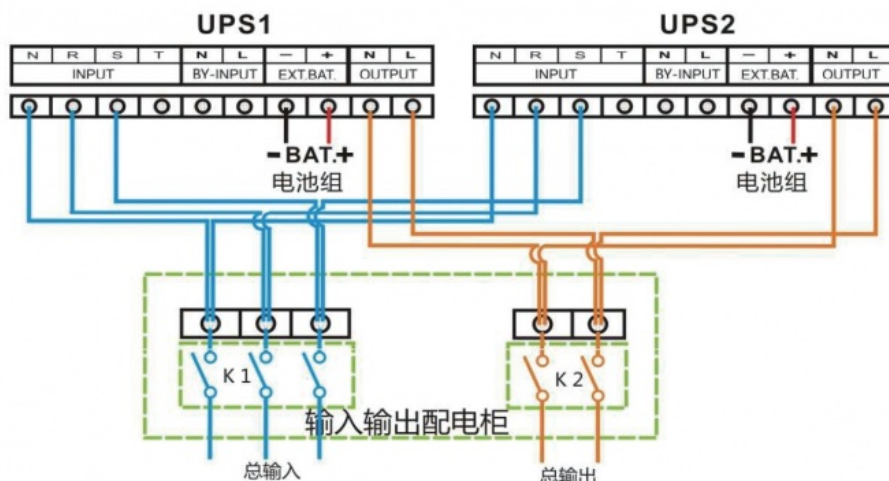
A: The delivery time for this Industrial UPS Power Supply is negotiable.

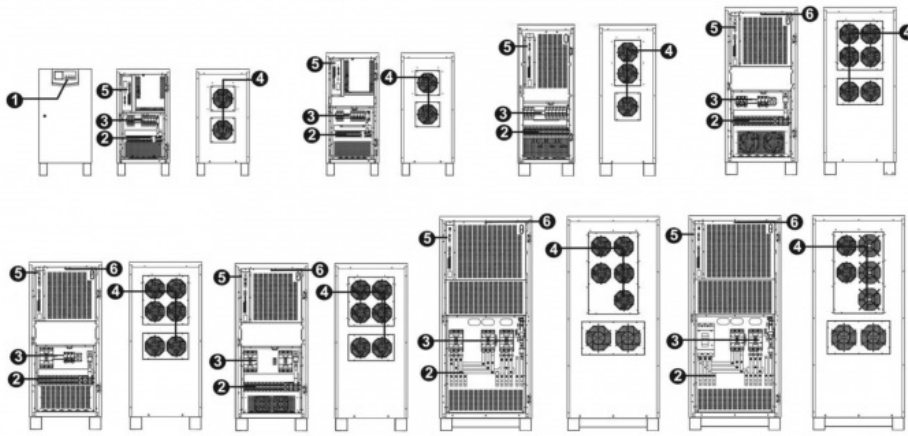
Q: What is the supply ability for this Industrial UPS Power Supply?

A: The supply ability for this Industrial UPS Power Supply is negotiable.

Q: What are the packaging details for this Industrial UPS Power Supply?

A: The packaging details for this Industrial UPS Power Supply is carton packaging.





parameter	describe
Input voltage/frequency	Exchange input voltage and frequency
Input voltage/frequency	Exchange input voltage and frequency
Load%	Communication output load percentage
Bypass voltage/frequency	Bypass input voltage and frequency
battery voltage	Current battery voltage value
Number of battery cells	Current number of battery cells
Battery capacity	Current battery pack capacity
real-time control	Provide system control functions
Real-time data	Provide real-time operational data for UPS
Setting	Can modify the operating parameters of the system and its functions
Information	Display current alarm and fault information
Event record	Record warning and fault information
mode	Display the operating mode of the machine in icon form
temperature	Temperature parameters of key components inside the box

01

Stable and reliable

ONLINE DOUBLE CONVERSION TECHNOLOGY COMPLETELY ELIMINATES THE IMPACT OF POWER FAILURES AND EFFECTIVELY PROTECTS THE LOAD FROM UNINTERRUPTED OPERATION

03

Green and Energy Saving

REDUCE ENERGY LOSS, EFFICIENCY UP TO 90%, ULTRA-SMALL SIZE, SIGNIFICANTLY SAVES SPACE

COMPARISON WITH OTHER UPS SYSTEMS

90%

02

Ultra-wide voltage

ULTRA-WIDE VOLTAGE INPUT RANGE, EFFECTIVELY REDUCING THE NUMBER OF BATTERY CHANGES AND EXTENDING

04

Convenient and easy to use

EASY TO OPERATE, LCD DISPLAY, FRIENDLY HUMAN-MACHINE INTERFACE. STANDARD MACHINE









Shenzhen Daxin Intelligent
Equipment Technology Co., Ltd

Shenzhen Daxin Intelligent Equipment Technology Co., Ltd



+86 15817363697



lubenzhi@szdxzh.com



power-cabinets.com

Green Base Industrial Park, Longtian Street, Pingshan District, Shenzhen