



## Industrial UPS Backup Power Supply High Load 20KVA 30KVA 40KVA 60KVA 100KVA

Our Product Introduction

for more products please visit us on [power-cabinets.com](http://power-cabinets.com)

### Basic Information

- Place of Origin: CHINA
- Brand Name: SZDXZH
- Model Number: H10KL
- Minimum Order Quantity: 1 pcs
- Packaging Details: Woodcase/ Paper box
- Delivery Time: 15-25 days
- Payment Terms: T/T
- Supply Ability: 10000pcs/month



### Product Specification

- Product Name: Free Shipping Commercial UPS Power Source With Energy Saving ECO Mode
- Factory Power Loss Deterrent: Yes
- Support And Services: Installation And Commissioning, Maintenance And Repair, Remote Monitoring And Management, On-site Technical Support, Training And Education
- Applications: Manufacturing Plants, Warehouse And Distribution Centers, Hospitals And Healthcare Facilities, Data Centers And Server Rooms, Financial Institutions, Telecommunications Centers
- Industrial Strength UPS Battery Backup: Yes
- Industrial Voltage: Yes

## Product Description

### Origin Industrial UPS Power Supply With On-Site Technical Support

#### Product Description:

The Industrial UPS Power Supply is an ideal solution for factories that require continuous power supply even during power outages. This UPS system acts as a factory power loss deterrent, preventing production downtime and ensuring that the factory's operations run smoothly. This feature is especially important for manufacturing plants, where even a small power outage can cause significant losses in productivity and revenue.

In addition to its industrial voltage regulator and factory power loss deterrent, the Industrial UPS Power Supply also features an industrial strength UPS battery backup. This ensures that critical systems and equipment remain powered during power outages, preventing data loss and equipment damage. This feature is essential for data centers, hospitals, and financial institutions, where the loss of power can result in significant financial losses and damage to the reputation of the organization.

The Industrial UPS Power Supply is designed to withstand the demands of an industrial environment. Its rugged construction and high-quality components ensure that it will operate reliably, even in harsh conditions. Its compact design allows it to be easily installed in tight spaces, making it an ideal choice for warehouses and distribution centers.

Overall, the Industrial UPS Power Supply is an essential tool for any industrial facility that requires a reliable source of power. Its industrial grade UPS system and commercial UPS power backup make it an ideal choice for a wide range of applications. Whether you are operating a manufacturing plant, a hospital, or a data center, the Industrial UPS Power Supply is the perfect solution to keep your operations running smoothly.

#### Features:

Product Name: Commercial UPS Power Source with Energy Saving ECO Mode

Model Number: H10KL

Product Category: Industrial UPS Power Supply

Battery Voltage: 24V

Features:

Industrial Power Backup System

Industrial Grade UPS System

Heavy-duty Industrial UPS

#### Technical Parameters:

Product Category:	Industrial UPS Power Supply
Applications:	Manufacturing plants, Warehouse and distribution centers, Hospitals and healthcare facilities, Data centers and server rooms, Financial institutions, Telecommunications centers
Commercial UPS Power Backup Efficiency:	0.89
Industrial Power Backup System:	Yes
Battery Voltage:	24V
Factory Power Loss Deterrent:	Yes
Intelligent Battery Management System:	Yes
Support And Services:	Installation And Commissioning, Maintenance And Repair, Remote Monitoring And Management, On-site Technical Support, Training And Education
Country Of Origin:	China
Minimum Order Quantity:	1

#### Applications:

Whether you're running critical manufacturing equipment, sensitive industrial processes, or essential data centers, the H10KL Industrial UPS Power Supply is the ideal solution for ensuring uninterrupted power supply and protecting your valuable equipment and systems from damage and downtime. Its robust design and commercial-grade UPS power supply make it suitable for a wide range of applications and scenarios, including:

Manufacturing plants and assembly lines

Mining and extraction operations

Oil and gas drilling and processing facilities

Telecommunications and data centers

Medical and healthcare facilities

Transportation and logistics hubs

Emergency response and disaster recovery centers

The SZDXZH H10KL Industrial UPS Power Supply is made in China and comes with a minimum order quantity of 1 unit at a price of \$626.4. Packaging details include carton packaging, and delivery time and supply ability are negotiable. Payment terms include T/T, and the product comes with installation and commissioning, maintenance and repair, remote monitoring and management, on-site technical support, and training and education support and services.

## Support and Services:

The Industrial UPS Power Supply product is supported by our team of technical experts who are available to provide assistance with any product-related issues that may arise. Our technical support services include:

24/7 phone and email support

On-site technical support and troubleshooting

Remote monitoring and diagnostics

Product training and education

Repair and maintenance services

In addition to our technical support services, we also offer a range of professional services to ensure that our customers get the most out of their UPS power supply. These services include:

Installation and commissioning

Site surveys and assessments

System design and engineering

Customization and integration

Project management

## Packing and Shipping:

Product Packaging:

Heavy-duty cardboard box

Bubble wrap for added protection

Instruction manual included

Shipping:

Ships within 1-2 business days

Free standard shipping within the continental US

International shipping available at an additional cost

Tracking information provided once item has shipped

## FAQ:

**Q1: What is the brand name of this Industrial UPS Power Supply?**

A1: The brand name of this Industrial UPS Power Supply is SZDXZH.

**Q2: What is the model number of this Industrial UPS Power Supply?**

A2: The model number of this Industrial UPS Power Supply is H10KL.

**Q3: Where is this Industrial UPS Power Supply manufactured?**

A3: This Industrial UPS Power Supply is manufactured in China.

**Q4: What is the minimum order quantity for this Industrial UPS Power Supply?**

A4: The minimum order quantity for this Industrial UPS Power Supply is 1.

**Q5: What is the price of this Industrial UPS Power Supply?**

A5: The price of this Industrial UPS Power Supply is \$626.4.

**Q6: What are the packaging details for this Industrial UPS Power Supply?**

A6: The packaging details for this Industrial UPS Power Supply are carton packaging.

**Q7: What are the payment terms for this Industrial UPS Power Supply?**

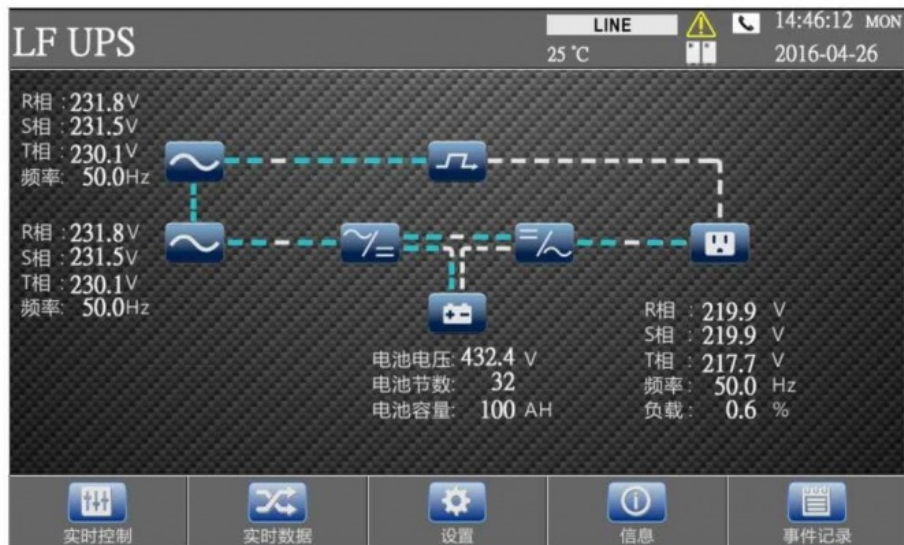
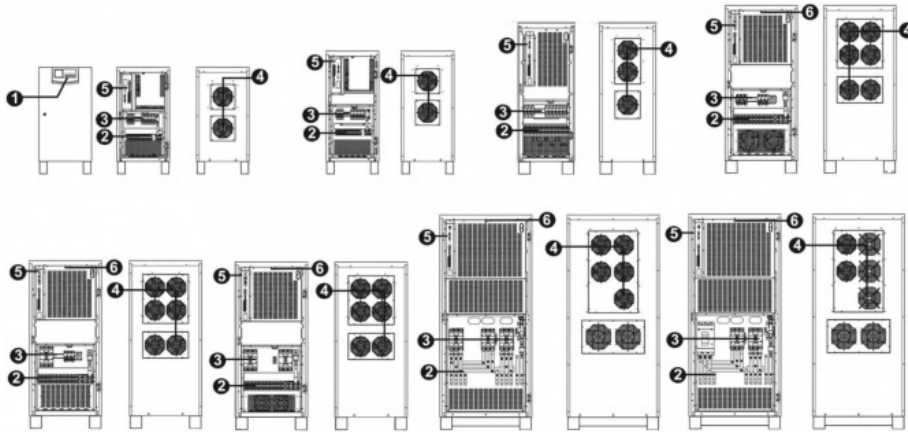
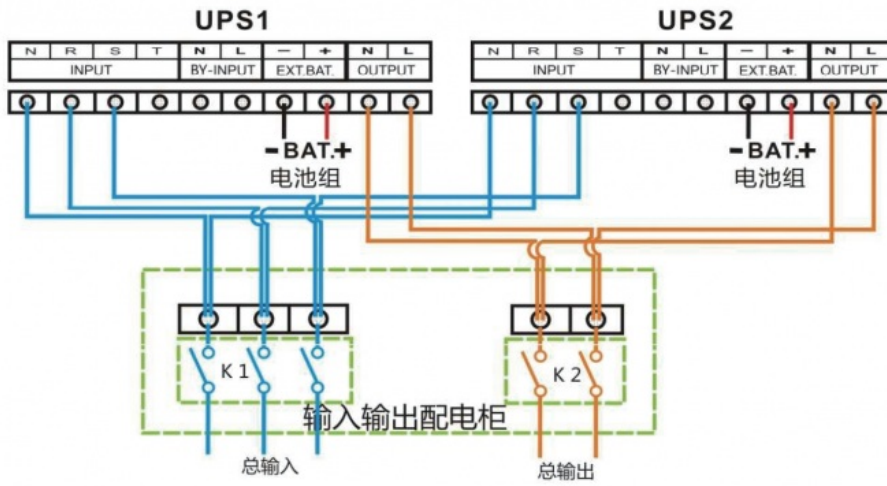
A7: The payment terms for this Industrial UPS Power Supply are T/T.

**Q8: What is the delivery time for this Industrial UPS Power Supply?**

A8: The delivery time for this Industrial UPS Power Supply is negotiable.

**Q9: What is the supply ability for this Industrial UPS Power Supply?**

A9: The supply ability for this Industrial UPS Power Supply is negotiable.



parameter	describe
Input voltage/frequency	Exchange input voltage and frequency
Input voltage/frequency	Exchange input voltage and frequency
Load%	Communication output load percentage
Bypass voltage/frequency	Bypass input voltage and frequency
battery voltage	Current battery voltage value
Number of battery cells	Current number of battery cells
Battery capacity	Current battery pack capacity
real-time control	Provide system control functions
Real-time data	Provide real-time operational data for UPS
Setting	Can modify the operating parameters of the system and its functions
Information	Display current alarm and fault information
Event record	Record warning and fault information
mode	Display the operating mode of the machine in icon form
temperature	Temperature parameters of key components inside the box



### 01

**Stable and reliable**

ONLINE DOUBLE CONVERSION TECHNOLOGY COMPLETELY ELIMINATES THE IMPACT OF POWER FAILURES AND EFFECTIVELY PROTECTS THE LOAD FROM UNINTERRUPTED OPERATION



### 03

**Green and Energy Saving**

REDUCE ENERGY LOSS, EFFICIENCY UP TO 90%, ULTRA-SMALL SIZE, SIGNIFICANTLY SAVES SPACE



### 02

**Ultra-wide voltage**

ULTRA-WIDE VOLTAGE INPUT RANGE, EFFECTIVELY REDUCING THE NUMBER OF BATTERY CHARGES AND EXTENDING

### 04

**Convenient and easy to use**

EASY TO OPERATE, LCD DISPLAY, FRIENDLY HUMAN-MACHINE INTERFACE, STANDARD MACHINE













Shenzhen Daxin Intelligent  
Equipment Technology Co., Ltd

**Shenzhen Daxin Intelligent Equipment Technology Co., Ltd**



+86 15817363697



lubenzhi@szdxzh.com



power-cabinets.com

Green Base Industrial Park, Longtian Street, Pingshan District, Shenzhen