



20K 30K Single Module Capacity Industrial UPS Power Supply For Computer Server Room

Our Product Introduction

for more products please visit us on power-cabinets.com

Basic Information

- Place of Origin: CHINA
- Brand Name: SZDXZH
- Model Number: H10KL
- Minimum Order Quantity: 1 pcs
- Packaging Details: Woodcase/ Paper box
- Delivery Time: 15-25 days
- Payment Terms: T/T
- Supply Ability: 10000pcs/month



Product Specification

- Product Category: Industrial UPS Power Supply
- Voltage Stability (steady $\pm 1\%$ Typical Value (balanced State): Load) $\sim \pm 2\%$ Typical Value (Unbalanced Load)
- Factory Standby Power Unit: Yes
- Efficiency: 0.89
- Rated Voltage: 3*380VAC/400VAC/415VAC(3PH+N)
- True Online Double Conversion: 0ms
- Battery Mode: External Battery Pack
- Product Name: Modular UPS/Computer Room UPS
- Highlight: Server Room Industrial UPS Power Supply , UPS Power Supply For Computer Room



More Images



3-10 Installable Modules Intelligent Battery Management System For Server Room UPS

Product Description:

Our Industrial UPS Power Supply comes in two single module capacities - 20K and 30K - providing you with flexibility in choosing the right capacity for your specific needs. With its advanced features and capabilities, you can be assured of uninterrupted power supply for your critical operations.

We offer a range of support and services for our Industrial UPS Power Supply. Our team of experts can help you with the installation and commissioning of your UPS power system. We also provide maintenance and repair services to ensure that your system operates at its best at all times. With our remote monitoring and management service, you can keep track of your system's performance and receive alerts in case of any issues. We also offer on-site technical support and training and education to help you make the most of your investment.

Our Industrial UPS Power Supply is not just a reliable and efficient ups power system, but it is also built to last. Its rugged design and high-quality components ensure that it can withstand even the harshest environments and provide long-lasting performance. So, if you are looking for an ups power supply for your computer or any other critical application, our Industrial UPS Power Supply is the perfect choice.

Features:

Product Name: Industrial UPS Power Supply

Efficiency (Commercial Power Mode): 0.89

Applications: Manufacturing plants, Warehouse and distribution centers, Hospitals and healthcare facilities, Data centers and server rooms, Financial institutions, Telecommunications centers

Product Packaging: High Frequency UPS unit, Power cord, User manual, Warranty card

Voltage stability (steady state): $\leq \pm 1\%$ Typical value (balanced load) $\sim \leq \pm 2\%$ Typical Value (Unbalanced Load)

Country Of Origin: China

This industrial ups system is perfect for manufacturing plants, warehouse and distribution centers, hospitals and healthcare facilities, data centers and server rooms, financial institutions, and telecommunications centers that need a reliable industrial ups power backup to protect their sensitive equipment from power outages.

The included power cord, user manual, and warranty card make it easy to set up and maintain this computer ups backup. With a voltage stability of $\leq \pm 1\%$ typical value (balanced load) $\sim \leq \pm 2\%$ typical value (unbalanced load), you can be confident that your equipment will be protected from power fluctuations.

Technical Parameters:

Product Attribute	Value
Support And Services	Installation And Commissioning, Maintenance And Repair, Remote Monitoring And Management, On-site Technical Support, Training And Education
Efficiency (Commercial Power Mode)	0.89
Factory Standby Power Unit	Yes
Intelligent Battery Management System	Yes
Product Packaging	High Frequency UPS unit, Power cord, User manual, Warranty card
Country Of Origin	China
Battery Voltage	24V
Single module capacity	20K/30K
True Online Double Conversion	0ms
Battery mode	External battery pack

Applications:

SZDXZH H10KL Industrial UPS Power Supply is an ideal ups backup system for various commercial applications. It is a high frequency UPS unit with a battery voltage of 24V. The product packaging includes a power cord, user manual, and warranty card.

This modular UPS/computer room UPS is suitable for manufacturing plants, warehouse and distribution centers, hospitals and healthcare facilities, data centers and server rooms, financial institutions, and telecommunications centers. It provides reliable and stable ups electrical supply to keep your critical equipment running in case of power outages or voltage fluctuations.

The SZDXZH H10KL Industrial UPS Power Supply is designed to be easy to install and maintain. Its factory standby power unit ensures that it is always ready to use. The packaging details include carton packaging, and the delivery time is negotiable.

The minimum order quantity for this product is 1, and the price is \$626.4. The supply ability is negotiable, and the payment terms are T/T. This commercial ups power supply is an essential investment for any business that relies on uninterrupted power supply to keep its operations running smoothly.

Support and Services:

The Industrial UPS Power Supply product comes with comprehensive technical support and services to ensure smooth operation and maximum uptime. Our team of experienced technicians provides installation and commissioning support, as well as on-site or remote troubleshooting assistance. We also offer preventive maintenance and repair services to keep your UPS system in optimal condition, and can provide training to your staff to ensure they know how to operate the system effectively. Additionally, we offer customization services to tailor the UPS system to your specific needs.

Packing and Shipping:

Product Packaging:

The Industrial UPS Power Supply product will be securely packed in a sturdy cardboard box with foam padding to ensure safe transportation. The product will also be wrapped in plastic to protect it from any potential moisture during transit.

Shipping:

We offer free standard shipping for the Industrial UPS Power Supply product. The product will be shipped within 1-2 business days after the order is placed. Delivery times may vary depending on the destination and shipping provider. If you require expedited shipping, please contact us for options and pricing.

FAQ:

Q: What is the brand name of the Industrial UPS Power Supply?

A: The brand name of the product is SZDXZH.

Q: What is the model number of the Industrial UPS Power Supply?

A: The model number of the product is H10KL.

Q: Where is the Industrial UPS Power Supply manufactured?

A: The product is manufactured in China.

Q: What is the minimum order quantity for the Industrial UPS Power Supply?

A: The minimum order quantity for the product is 1.

Q: What is the price of the Industrial UPS Power Supply?

A: The price of the product is \$626.4.

Q: What are the payment terms for the Industrial UPS Power Supply?

A: The payment terms for the product are T/T.

Q: What is the delivery time for the Industrial UPS Power Supply?

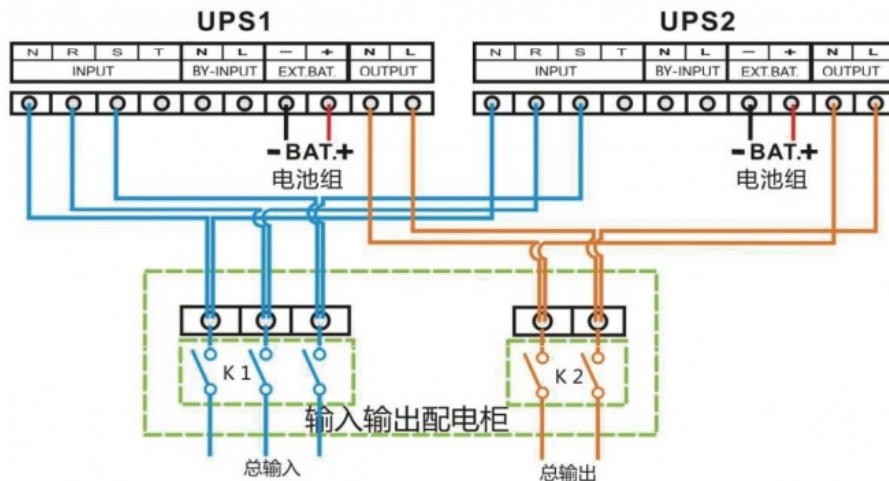
A: The delivery time for the product is negotiable.

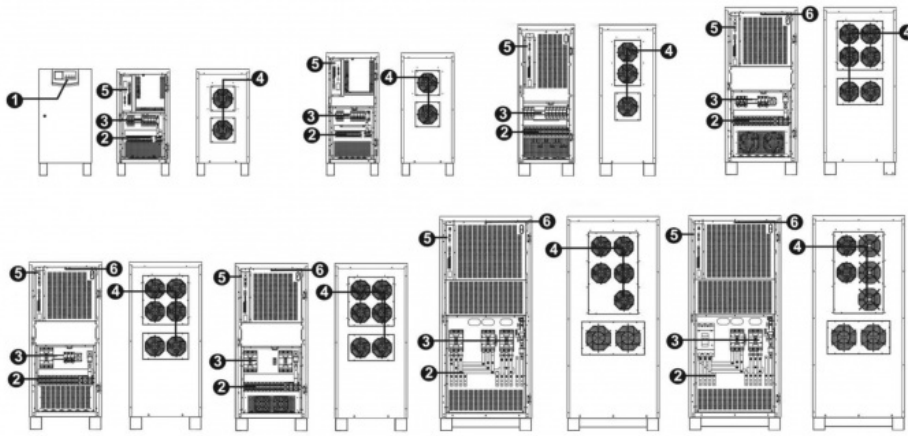
Q: What is the supply ability of the Industrial UPS Power Supply?

A: The supply ability for the product is negotiable.

Q: What are the packaging details for the Industrial UPS Power Supply?

A: The packaging details for the product are carton packaging.





parameter	describe
Input voltage/frequency	Exchange input voltage and frequency
Input voltage/frequency	Exchange input voltage and frequency
Load%	Communication output load percentage
Bypass voltage/frequency	Bypass input voltage and frequency
battery voltage	Current battery voltage value
Number of battery cells	Current number of battery cells
Battery capacity	Current battery pack capacity
real-time control	Provide system control functions
Real-time data	Provide real-time operational data for UPS
Setting	Can modify the operating parameters of the system and its functions
Information	Display current alarm and fault information
Event record	Record warning and fault information
mode	Display the operating mode of the machine in icon form
temperature	Temperature parameters of key components inside the box

01

Stable and reliable

ONLINE DOUBLE CONVERSION TECHNOLOGY COMPLETELY ELIMINATES THE IMPACT OF POWER FAILURES AND EFFECTIVELY PROTECTS THE LOAD FROM UNINTERRUPTED OPERATION

03

Green and Energy Saving

REDUCE ENERGY LOSS, EFFICIENCY UP TO 90%, ULTRA-SMALL SIZE, SIGNIFICANTLY SAVES SPACE

COMPARISON WITH OTHER UPS SYSTEMS

90%

02

Ultra-wide voltage

ULTRA-WIDE VOLTAGE INPUT RANGE, EFFECTIVELY REDUCING THE NUMBER OF BATTERY CHANGES AND EXTENDING

04

Convenient and easy to use

EASY TO OPERATE, LCD DISPLAY, FRIENDLY HUMAN-MACHINE INTERFACE. STANDARD MACHINE









Shenzhen Daxin Intelligent
Equipment Technology Co., Ltd

Shenzhen Daxin Intelligent Equipment Technology Co., Ltd



+86 15817363697



lubenzhi@szdxzh.com



power-cabinets.com

Green Base Industrial Park, Longtian Street, Pingshan District, Shenzhen